

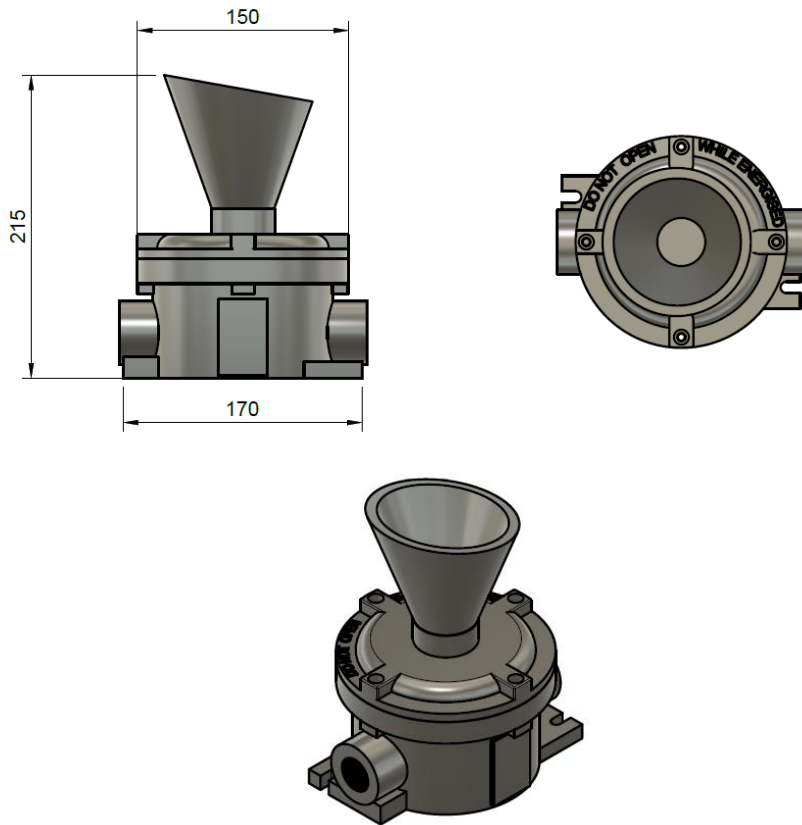


## WH SERIES EX-PROOF HORN

ATEX CERTIFICATE: INSEMEX-OEC.ATEX.17.0304X

CE  II 2 G Ex d II C T6 Gb

CE  II 2 D Ex tb III C T80°C Db



### APPLICATIONS

WH SERIES exproof horn, Zone-1, Zone-21, Zone-2 and Zone-22 suitable for use in exproof environments. It is used for audible warning in emergency situations.

### MATERIAL

Body; aluminum casting (ETIAL 171)  
Colour: RAL 7040(grey)

### MECHANICAL PROTECTION TYPE

IP 66

### TECHNICAL SPECIFICATIONS

With energy input: 24V-220 V AC/DC  
95 desibels of sound at 1 meter distance  
2x3/4" with input